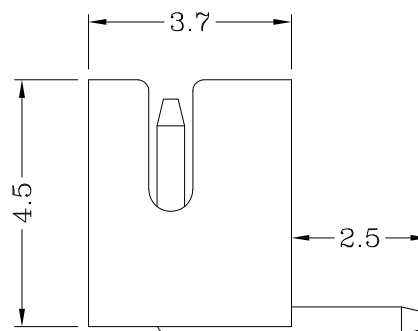
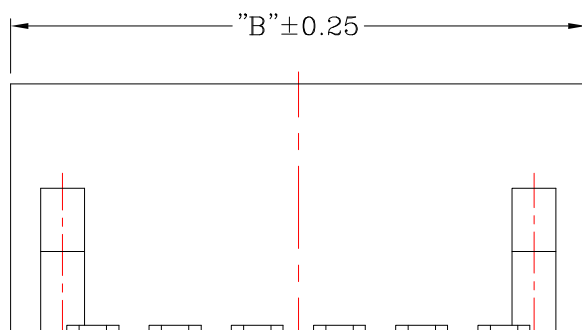


P.C.B LAYOUT MOUNTING PATTERN



SPECIFICATIONS

- 1.Current rating : 1.0A
- 2.Voltage rating : 50V, AC / DC
- 3.Temperature rating : -25°C ~ +85°C
- 4.Insulation resistance : 1000MΩ min.
- 5.Contact resistance : 20mΩ/Max
- 6.Withstand Voltage : 500V AC / minute

Material:

- 1.Housing : PA46
- 2.Contact : Brass,Tin over Nickel

	2	3	4	5	6	7	8	9	10	11	12	13	14	15	16
DIM.A	1.50	3.00	4.50	6.00	7.50	9.00	10.50	12.00	13.50	15.00	16.50	18.00	19.50	21.00	22.50
DIM.B	4.50	6.00	7.50	9.00	10.50	12.00	13.50	15.00	16.50	18.00	19.50	21.00	22.50	24.00	25.50

 東莞市高迪電子有限公司  
DONG GUAN GAO DI ELECTRONICS CO., LTD

TOLERANCE UNLESS OTHERWISE STATED :  
 Up to 5 ±0.2  
 Above 5 ~ 15 ±0.3  
 Above 15 ~ 30 ±0.4  
 Above 30 ~ 50 ±0.5  
 Angle ±0.3

3RD. ANGEL'S



UNITS MM

DRAWN BY:	DATE	MATL	TITLE	CONNECTOR
Jack Lu	10/14/24			
CHECKED BY:	DATE	FINISH	MODLE	WAFER 1.5 PIN 90度
Jacky Chen	10/14/24			
APPROVED BY:	DATE	SCALE	DWG NO.	WF-1500RDxx-S304
Tony Kao	10/14/24	1 : 1		
		SHEET NO.	PART NO.	WF-1500RDxx-S304
		1 of 1		

1	更新樣式	Jack	101424
ITEM NO.	DESCRIPTION	DRAWN	DATE